

## High-capacity VMS - Video Management System



### Features

#### High-performance, High-capacity

- Up to 5000 channel per unit
- Max. 640Mbps incoming bandwidth
- Max. 640Mbps output bandwidth
- Up to 1000 users access simultaneously
- 8-level cascade
- 32 devices stack per level

#### High reliability

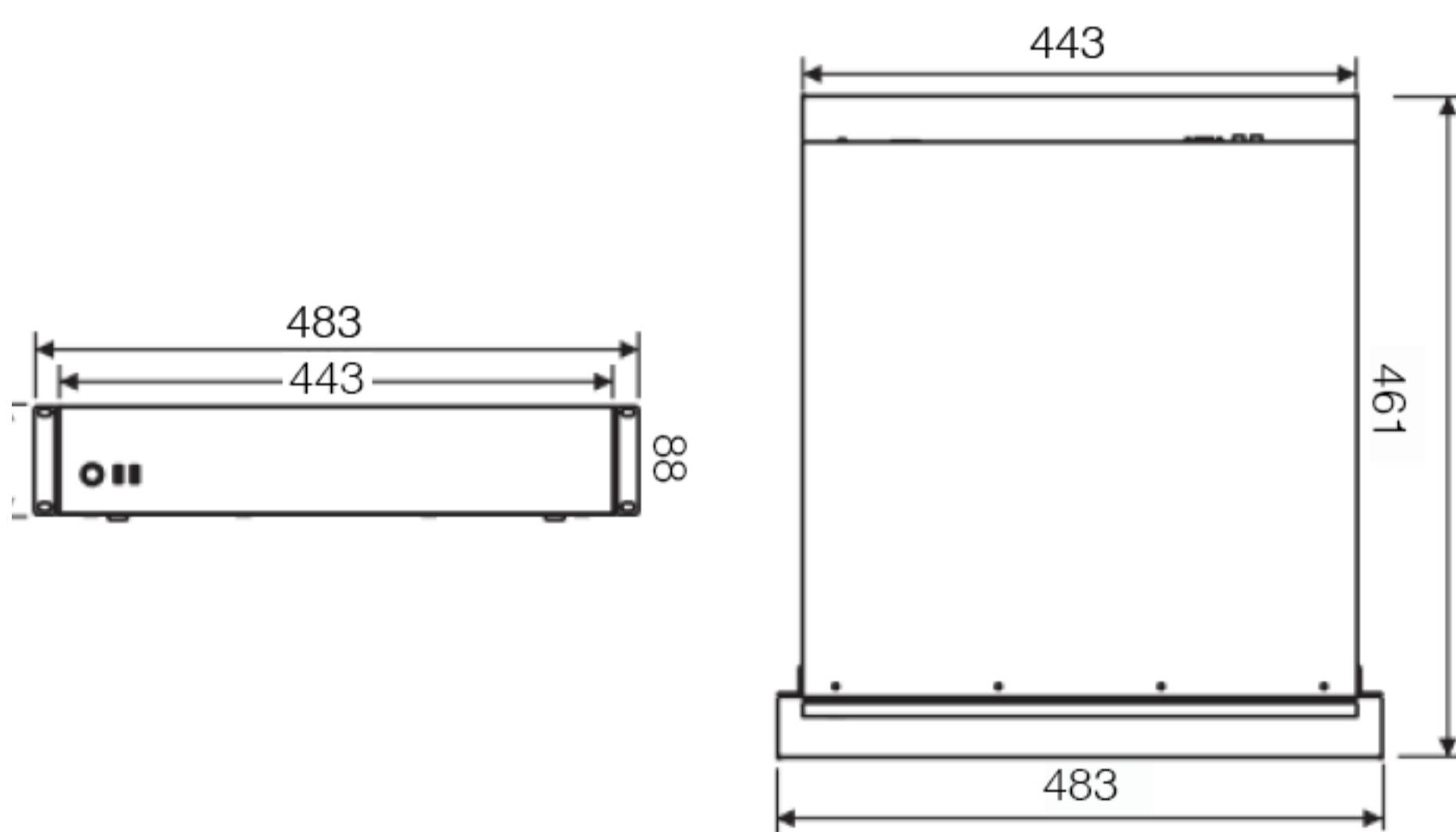
- Embedded Linux
- Supports Packet Loss Recovery (PLR)

#### Abundant functions and features

- E-Map, TV-Wall supported
- Bi-directional audio
- NAT, Socks5
- Alarm management
- Free Client (CU client)

### Dimensions

Unit: mm



### Specifications

Model	KDM2802A-G2
<b>Capacity</b>	
Access	5000 Channel
Stack	32 devices per level, up to 15,000 Channel
Cascade	8-level, up to 50,000 Channels
Incoming Bandwidth	Max. 640Mbps
Output Bandwidth	Max. 640Mbps
<b>Live Viewing</b>	
Multi Screen Display	up to 64 mutil-window
E-Map	Live Viewing in E-Map
Function	E-PTZ / Scheme / Polling / TV-Wall (optional with decoder)
<b>Recording</b>	
Mode	Manual / Continuous / Schedule / Event (Pre / Post)
Event Trigger	Alarm input / Video lost / Motion Detection
<b>Search &amp; Playback</b>	
Search Mode	Date and time (Calendar) / Event
Playback Mode	Single Playback / Multi Playback / Synchronize Playback
Function	Slow forward / Fast forward / Loop / Single Frame / E-PTZ
<b>Storage</b>	
External	IP SAN (iSCSI), up to 31 x IP SAN
<b>Video</b>	
Compression	H.265 / H.264 / MPEG4
Image Resolution	QXGA, 1080p, UXGA, 960p, 720p, XGA, SVGA, D1, CIF, QCIF
Frame Rate	1 ~ 30fps
Bitrate	64kbps ~ 8Mbps
<b>Audio</b>	
Compression	G.711a / G.711u / ADPCM / G.722 / G.722.1c / AAC-LC
Bitrate	32kbps ~ 64kbps
<b>Alarm</b>	
Alarm Triggers	Alarm input / Video lost / Motion Detection / Disk alarm
Alarm Events	Snapshot / Recording / PTZ preset / Alarm out / Buzzer / Link to Client / Alarm caption
<b>System</b>	
Operating System	Embedded Linux
User Management	Super admin / Admin / User
Log Management	User login / User operation / Device / Alarm / Backup
<b>Network</b>	
Network Protocols	SIP, TCP/IP, UDP, HTTP, DHCP, DNS/DDNS, RTP/RTCP, RTSP, FTP, SNTP, VSIP
Viewer Software	CU Client
Max. User Access	1000 Users
Protocols	ONVIF, GB/T 28181-2011
Application Programming	CU SDK
Function	NAT / Socks5 / Multiple network access / Packet loss recovery
<b>Interfaces</b>	
Ethernet	3 x Gigabit network port, RJ45 interface
USB	4 x USB2.0
Control	1 x RS485
Video Out	1 x VGA, for debug only
Internal	2 x USB2.0, for USB license dongle
<b>Environmental</b>	
Operating Temperature	0°C ~ 55°C / 32°F ~ 131°F
Operating Humidity	10% ~ 90%
<b>Electrical</b>	
Power	100 ~ 240V AC, 50 ~ 60Hz
Power Consumption	Redundant Power Supply Max. 80W
<b>Mechanical</b>	
Weight	15kg / 33.07lb (Gross Weight)
Dimensions	443 x 461 x 88mm / 17.44" x 18.15" x 3.46"