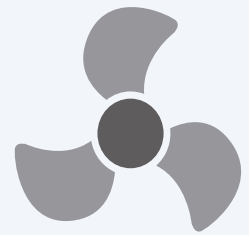


UNDERGROUND CAR PARKS

In underground car parks, carbon monoxide (CO) and nitrogen dioxide (NO₂) gases must be accurately monitored. If the CO or NO₂ concentration increases, perhaps due to increased traffic in the area, there will be an acute risk of poisoning. Control of humidity is also a central requirement in underground car parks. A gas detection system for underground car parks must combine these requirements in the best possible way.



INOSENT RECOMMENDS THE «**COMPACT**» PRODUCT LINE FOR UNDERGROUND CAR PARKS.

Thanks to state-of-the-art technology and a sophisticated design, «**COMPACT**» is the ideal solution. Exhaust gas warning lights with built-in horns are activated immediately when danger threatens, so that no one is at risk. There is also a display icon showing the correct behaviour in the case of alarm. For the differential humidity control, it is necessary to have an absolute humidity detector within the car park and a second detector outside: This is how the Compact product line ensures the best control of ventilation and humidity.

The CO and NO₂ detectors are, like the two moisture detectors, connected to the control centre. The control centre displays the highest measured levels as well as any alarms or malfunctions. The display also shows, at all times, the updated status messages from the smoke detectors and / or the differential pressure detectors. The Compact product line is also easy to program and easy to install.

THE COMPACT SOLUTION FOR UNDERGROUND CAR PARKS: THE «**COMPACT**» PRODUCT LINE



- RELIABLE MONITORING OF CARBON MONOXIDE AND NITROGEN DIOXIDE
- PERFECT HUMIDITY CONTROL
- COMPACT CONTROL PANEL
- GAS DETECTORS FOR MONITORING CO AND NO₂; OTHER DETECTORS CAN BE CONNECTED
- LED-LIGHT WITH INTEGRATED ALARM HORN



COMPACT

The INOSENT Compact product line is the ideal solution for underground car parks. The control centre has up to 32 detector inputs for monitoring carbon monoxide (CO) and nitrogen dioxide (NO₂). In addition, the Compact product line can activate the ventilation system when gas concentration levels exceed the programmed alarm levels. If the optional humidity detectors are connected, the integrated humidity program can measure the absolute humidity inside and outside, and activate the ventilation system when the humidity level is too high.



OVERVIEW:

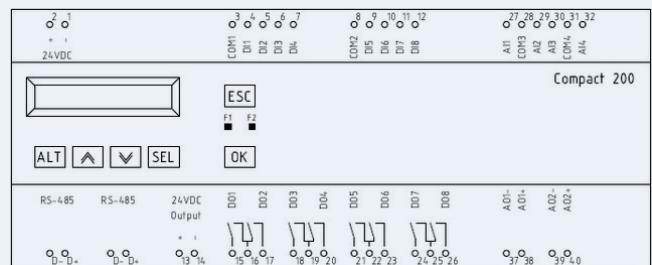
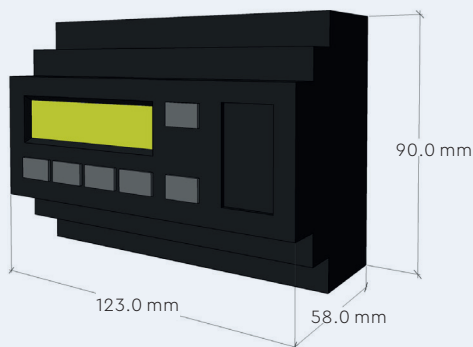
- 2 YEARS WARRANTY
- EASY TO MOUNT ON A DIN RAIL
- EASY-TO-READ DISPLAY
- PROGRAMMING USING PC
- DISPLAY OF GAS CONCENTRATION AND ALARM LEVELS
- STATUS MESSAGES FROM THE SMOKE DETECTOR AND THE DIFFERENTIAL PRESSURE MONITOR CAN EASILY BE READ ON THE DISPLAY

TECHNICAL SPECIFICATIONS

SUPPLY VOLTAGE: 24 VDC or 230 VAC | Status display for operation and malfunctions on an easy-to-read LCD display | 8 built-in digital outputs | Analogue signal input: 4 × 4-20mA | Digital signal input: 32 x digital | Integrated 0-10V output signal for linear control of EC motors

AVAILABLE ACCESSORIES: Modbus-enabled LED alarm light with integrated horn, Expansion modules for additional relay outputs or analogue inputs

DIMENSIONS AND CONNECTIONS





INOSENT COMPACT FOR UNDERGROUND CAR PARKS

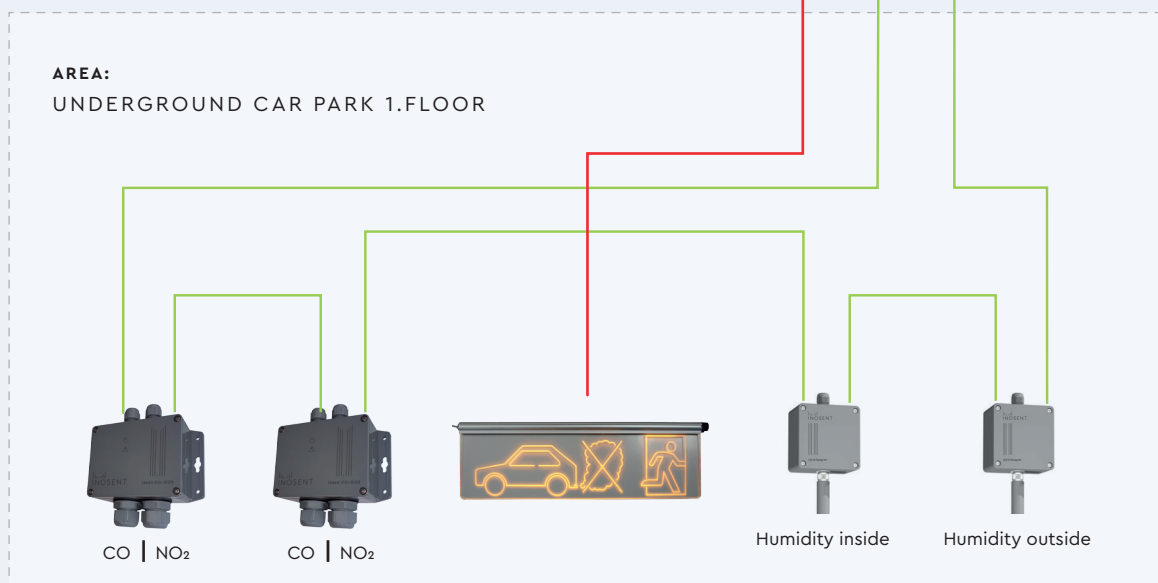
WITHOUT DIGITAL ALARM LIGHTS

SIGNAL:

MODBUS

MAX. QUANTITY GAS DETECTORS:

32



— SUPPLY TO ALARM UNITS:
24 VDC or 230 VAC

— SUPPLY TO GAS DETECTORS:
INOSENT MODBUS-CABLE LI HCH:
Cable 2 × 2x0,8 mm², shielded, coloured, max. 1200 m



INOSENT COMPACT FOR UNDERGROUND CAR PARKS

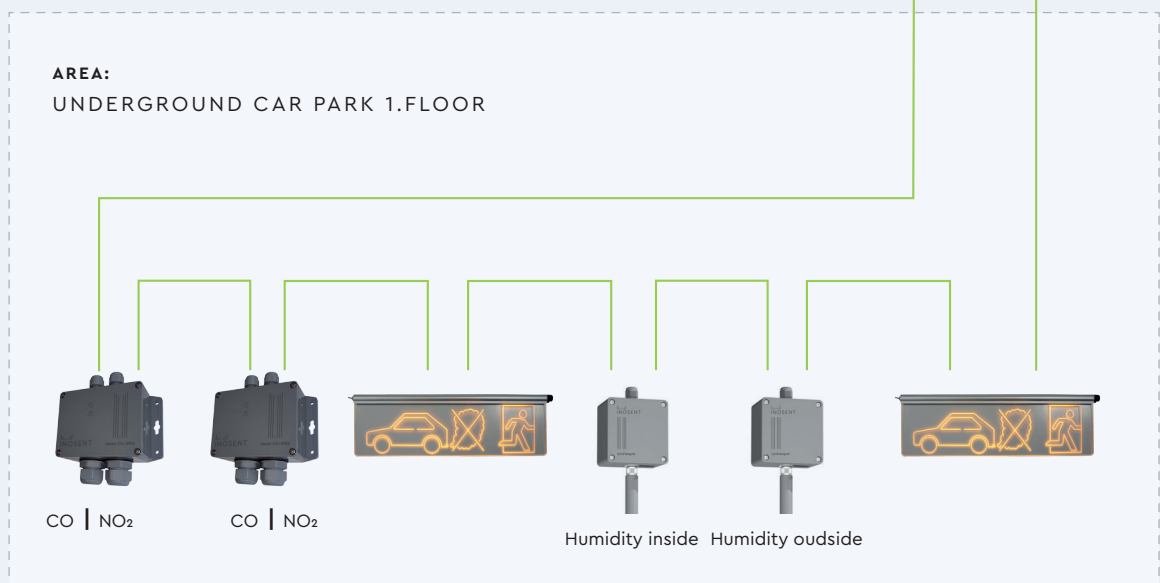
WITH DIGITAL ALARM LIGHTS

SIGNAL:

MODBUS

MAX. QUANTITY GAS DETECTORS:

32



— SUPPLY TO GAS DETECTORS AND ALARM LIGHTS:
INOSENT MODBUS-CABLE LI HCH:
Cable 2 × 2x0,8 mm², shielded, coloured, max.
1200 m