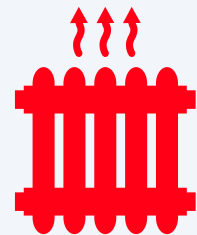


## GAS HEATING

When using gas heaters, liquefied propane gas (propane/ $C_3H_8$ ) and natural gas (methane/ $CH_4$ ) must be carefully monitored on a 24 hour basis. Because their use may result in dangerous gas leaks that must be immediately reported and stopped. Gas leaks caused by wear and vibration can be very dangerous, and the danger can be mitigated by using the correct gas detection system.



INOSENT RECOMMENDS THE «**CLASSIC**» PRODUCT LINE FOR BOILER PLANT ROOMS.

For monitoring natural gas or liquefied propane, the «**CLASSIC**» product line is ideal: The programmable, self-monitoring gas monitor gives an alarm when upper and lower boundary values are exceeded. The alarm consists of a central flashing light and/or an alarm horn. In addition to the alarm, the gas flow will be stopped by closing a solenoid valve on the gas line, the burner turned off and the ventilation switched on.

The gas detectors are available with and without a display. Gas detectors are also available for use in explosion zones 1 and 2; for indoors applications, the detectors are also available in a white plastic housing. However, the gas detectors, which are not explosion-proof, have, as standard equipment, an optical and acoustical alarm indicator and can also be used without a gas monitor.

SIMPLE, CLEAR-CUT, AND IDEAL FOR GAS HEATERS:  
THE «**CLASSIC**» PRODUCT LINE



- RELIABLE MONITORING OF METHANE AND PROPANE.
- THE CLASSIC CONTROL PANEL
- GAS DETECTORS FOR MONITORING OF  $CH_4$  AND  $C_3H_8$ ; OTHERS CAN BE CONNECTED
- FLASHING LIGHT
- ALARM HORN

IP65



## STANDALONE GAS DETECTOR «EASY»

The Easy product line is as simple as it is ingenious: this stand-alone detector also has the functionality of a control device. This is a simple, high-quality, compact solution for small systems. The Easy product line can be ordered for use with most refrigerants, such as (H)FKW, HFO and Carbon Dioxide (CO<sub>2</sub>), and can be ordered pre-calibrated for detecting other gases such as Propane (C<sub>3</sub>H<sub>8</sub>) or Methane (CH<sub>4</sub>), and programmed for the normal alarm limits.

The Easy product line offers two built-in relay contacts, an alarm horn and a flashing light. The stand-alone gas detector can be used with 230 VAC or 24 VDC and features analogue as well as digital output signals.

The Easy product line can be easily installed by the customer



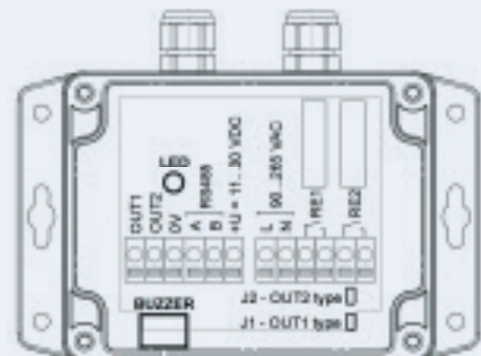
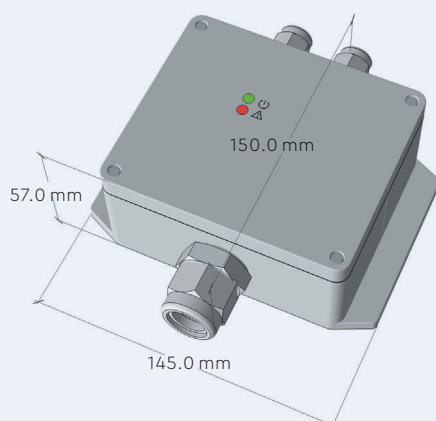
### OVERVIEW:

- 2 YEARS WARRANTY
- SIMPLE DIY INSTALLATION
- DETECTOR AND GAS MONITOR IN A SINGLE PRODUCT
- OPTIONALLY AVAILABLE WITH ALUMINIUM HOUSING
- REPLACEABLE MEASURING ELEMENT
- PRE-PROGRAMMED ALARM LEVELS

### TECHNICAL SPECIFICATIONS

**SUPPLY VOLTAGE:** 24 VDC/AC or 230 VAC | Integrated 85dB alarm horn | LED status display for operational status and malfunctions | LED alarm display for pre-alarm and main alarm  
Protection level IP 65 | 2 built-in relay contacts | **SIGNAL OUTPUTS:** 4-20mA, 0-10VDC, Modbus RTU

### DIMENSIONS AND ELECTRONICS



## OVERVIEW OF AVAILABLE GAS DETECTORS PRODUCT LINE «EASY»

I2608-NH <sub>3</sub> -E	NH <sub>3</sub>	Ammonia	0-100/300/1000 PPM
I2608-NH <sub>3</sub> -S	NH <sub>3</sub>	Ammonia	0-1000 PPM
I2608-C <sub>2</sub> H <sub>2</sub> -S	C <sub>2</sub> H <sub>2</sub>	Acetylene	0-100 % LEL
I2608-C <sub>4</sub> H <sub>10</sub> -S	C <sub>4</sub> H <sub>10</sub>	Butane	0-100 % LEL
I2608-CO <sub>2</sub> -I	CO <sub>2</sub>	Carbon Dioxide	0-5000/10'000/50'000 PPM
I2618-CO-E	CO	Carbon Monoxide	0-300 PPM
I2660-CO-NO <sub>2</sub> -E	CO/NO <sub>2</sub>	Carbon Monoxide/Nitric Dioxide	0-300 PPM AND 0-10 PPM
I2608-Cl <sub>2</sub> -E	Cl <sub>2</sub>	Chlorine	0-20 PPM
I2608-C <sub>2</sub> H <sub>4</sub> -E	C <sub>2</sub> H <sub>4</sub>	Ethylene	0-10/200/1500 PPM
I2608-C <sub>2</sub> H <sub>4</sub> -S	C <sub>2</sub> H <sub>4</sub>	Ethylene	0-100 % LEL
I2608-ETO-E	ETO	Ethyleneoxide	0-20/100 PPM
I2608-HFC-S	HFC	(H)FKW	0-1000 PPM
I2608-H <sub>2</sub> -S	H <sub>2</sub>	Hydrogen	0-100 % LEL
I2608-H <sub>2</sub> S-E	H <sub>2</sub> S	Hydrogen Sulphur	0-50/100/1000 PPM
I2608-CH <sub>4</sub> -S	CH <sub>4</sub>	Methane	0-100 % LEL
I2608-CH <sub>4</sub> -P	CH <sub>4</sub>	Methane	0-100 % LEL
I2608-NO-E	NO	Nitrogen Dioxide	0-30 PPM
I2608-NO <sub>2</sub> -E	NO <sub>2</sub>	Nitrogen Monoxide	0-20 PPM
I2608-O <sub>2</sub> -E	O <sub>2</sub>	Oxygen	0-25 VOL. %
I2608-O <sub>3</sub> -E	O <sub>3</sub>	Ozone	0-5 PPM
I2608-C <sub>3</sub> H <sub>8</sub> -S	C <sub>3</sub> H <sub>8</sub>	Propane	0-100 % LEL
I2608-C <sub>3</sub> H <sub>8</sub> -P	C <sub>3</sub> H <sub>8</sub>	Propane	0-100 % LEL
I2608-SO <sub>2</sub> -E	SO <sub>2</sub>	Sulphur Dioxide	0-50/100 PPM
I2608-VOC-S	VOC	VOC	0-100 % LEL