

Outdoor use - high security

Model 63.01H FB6

Order Number 401123



Use

Model 63.01H is a flush-fitting sliding pass-through with intercom for walls up to 140 mm thick, which comes ready for installation.

The drawer allows handing over objects up to 120 mm high, such as files with 80 mm spines.

The counter unit is frequently used for access control in indoor and covered outdoor areas as correctional facilities, government buildings and company gates. FB6 firearms certification comes as standard. Fire protection up to EI/F90 available on request.

Safety and features

- Flush- fitting sliding pass-through counter with fascia and integrated Public intercom for automatic two-way conversation.
- The drawer and acrylic glass cover stop each other from opening at the same time - the drawer can only be opened when the cover is closed.
- Locks automatically in both end positions. Lock can only be released by the operator behind the counter by using the lever.
- Tamper-safe: it is not possible to reach through the hole when the drawer is extended or manipulate the mechanism.
- For handing over passes, files and similar items up to A4 size.
- Dust and draught sealed.
- Materials offer firearms protection, capable of withstanding heavy handgun fire, e.g. up to G3 battle rifle. Has received FB6 certification from the firearms licensing authority.
- Model 63.01H fulfils German UVV regulations.

Materials and use

- Pass-through is made of steel and security steel.
- Fascias, tray and cover are made of brushed stainless steel
- All metal parts have been produced using state-of-the-art precision laser cutting technology for ultimate quality.
- Model 63.01 is suitable for indoor and outdoor use in covered areas.
- The unit requires no maintenance. No need for cleaning or lubrication.



Outdoor use - high security

Model 63.01 H FB6

Installation and dimensions

The unit comes ready for mounting in prepared walls/façade recesses.

It is mounted from the outside by inserting the unit into the recess before screwing it tight underneath on the inside.

Consideration must be given to access requirements and the possible need to remove the unit later in the unlikely event of repairs.

The unit is very compact and suitable for use in areas with limited space.

Outer dimensions (in mm)

Front panel 596 x 241 x 35

Pass-through

Width 449

Depth 579

Height 167

Drawer clearance

Width 330

Depth 340

Height 120

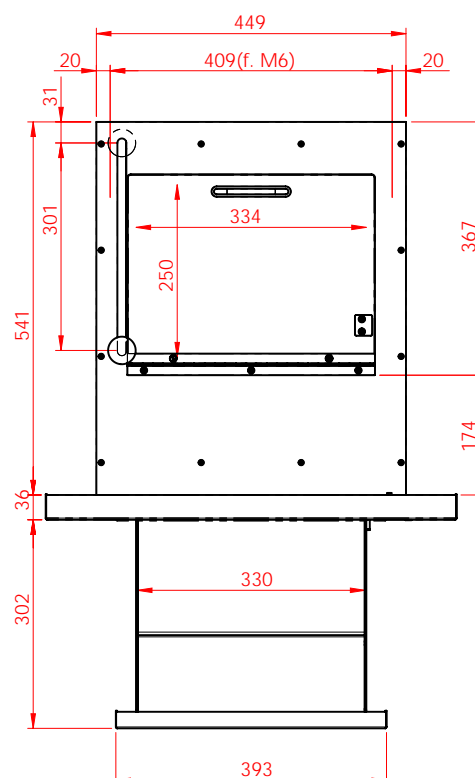
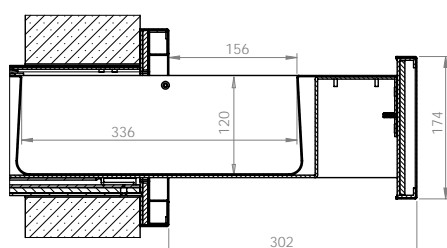
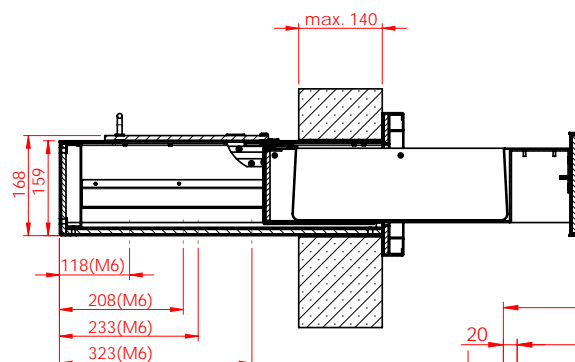
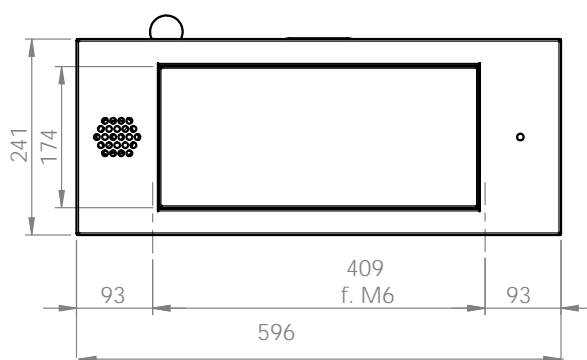
Extension 400

Weight

80kg

Miscellaneous

- Available as Model 63H without two-way intercom
- Available up to EI/F90 fire protection.
- Available with rain cover.
- Special sizes available on request.
- Coatings available in RAL colours on request.



Walter Wurster GmbH

Heckenrosenstr. 38
 D-70771 Leinfelden-Echterdingen
 Germany
 Telefon: +49 (0) 711 / 9 49 62-0
 Telefax: +49 (0) 711 / 7 97 72 90
 e-mail: info@wurster.com
 internet: www.wurster.com